

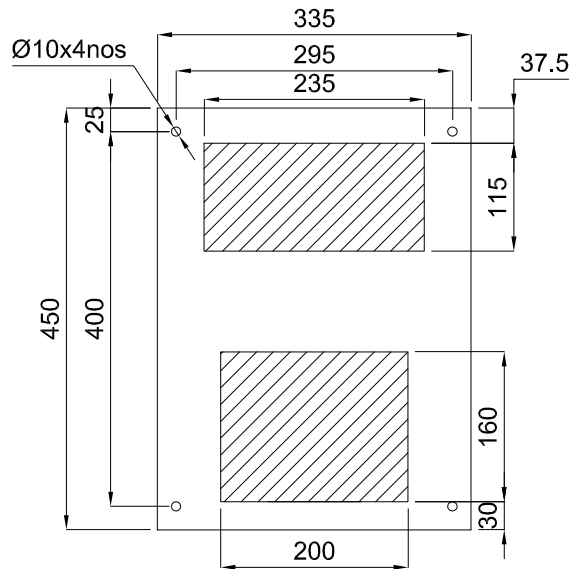
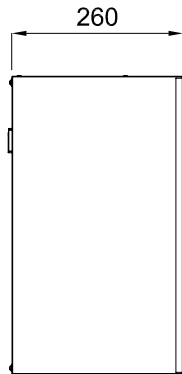
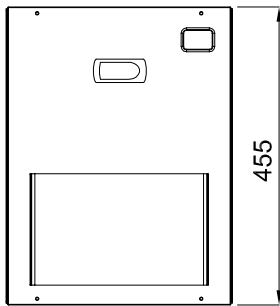
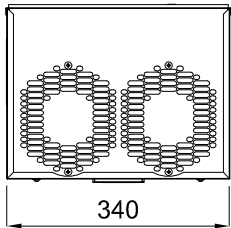
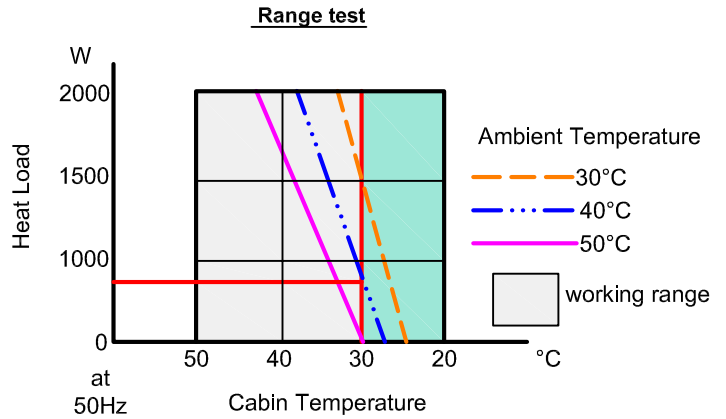
PANEL AIR CONDITIONER



PAC 060 F75



Performance



General Features

S.No	DESCRIPTION	M.U	SPECIFICATION
1	Model	-	PAC 060 F75
2	Cooling capacity L30 L40	kcal/hr W	600 700
3	Ambient Temperature	°C	20-50
4	Refrigerant	-	R134a
5	Operating voltage Phase/Voltage/Frequency	Ph/V/Hz	1/230/50
6	Rated Current	A	2.1
7	Starting Current	A	6
8	Power absorbed	W	350
9	Air Flow Rate, free air	CFM	50
10	Dimension Height x Width x Depth	H mm	455
		W mm	340
		D mm	260
11	Mounting	-	Face Mounting
12	Weight	kg	24
13	Color	-	Gray
14	Cabinet protection degree	IP	54
15	Approvals	CE	OSE-14-0203/01

- Structure**
Enclosure made of CRCA steel sheet ensure high stability.
- Coating**
Electrophoretic dipcoat priming and powder coating textured RAL7035.
- Compressor**
Energy efficient, environment friendly Hermetically sealed compressor.
- Fan**
Centrifugal backward curved fan of Inbuilt motor with thermal protection.
- Coil**
Copper tube with pre-coated hydrophilic aluminum fin material.
- Filter**
Woven fabric of mesh size 611x470 to prevent dust.
- Control**
The unit is controlled & managed by microprocessor based controller with LED display
- CE**
Machinery Directive/LVD Directive 2006/42/EEC
Low Voltage Directive 2006/95/EC
Pressure Equipment Directive 97/23/EC
Electromagnetic Compatibility 2004/108/EC