

PANEL AIR CONDITIONER

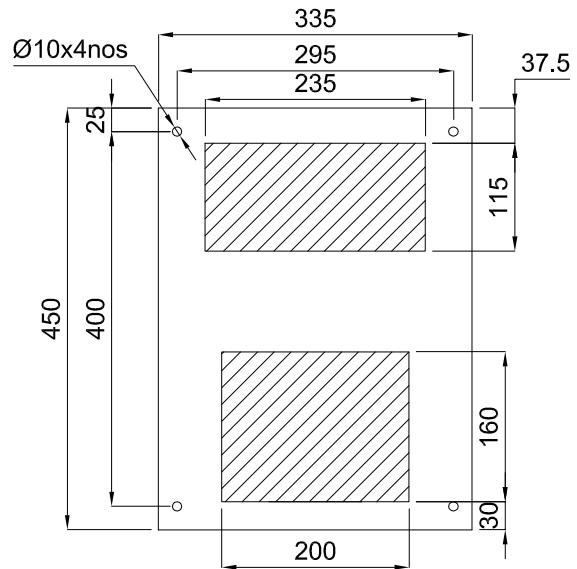
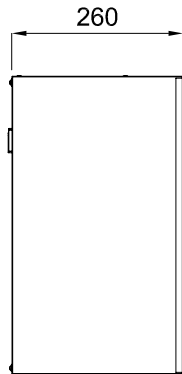
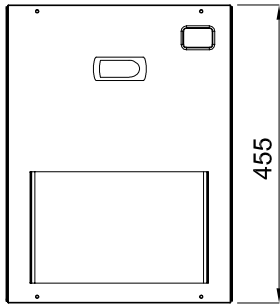
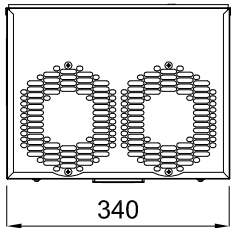
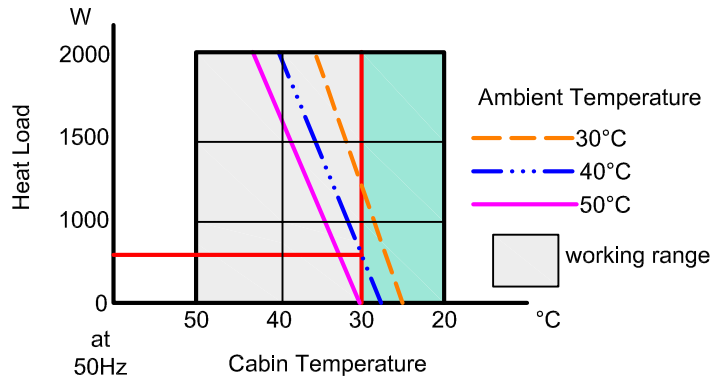


PAC 045 F75



Performance

Range test



General Features

S.No	DESCRIPTION	M.U	SPECIFICATION
1	Model	-	PAC 045 F75
2	Cooling capacity L30 L40	kcal/hr	450
		W	525
3	Ambient Temperature	°C	20-50
4	Refrigerant	-	R134a
5	Operating voltage Phase/Voltage/Frequency	Ph/V/Hz	1/230/50
6	Rated Current	A	2
7	Starting Current	A	6
8	Power absorbed	W	325
9	Dimension Height x Width x Depth	H mm	455
		W mm	340
		D mm	260
10	Mounting	-	Face Mounting
11	Weight	kg	24
12	Color	-	Gray
13	Cabinet protection degree	IP	54
14	Approvals	CE	OSE-14-0203/01

- Structure**
 Enclosure made of CRCA steel sheet ensure high stability.
- Coating**
 Electrophoretic dipcoat priming and powder coating textured RAL7035.
- Compressor**
 Energy efficient, environment friendly Hermetically sealed compressor.
- Fan**
 Centrifugal backward curved fan of Inbuilt motor with thermal protection.
- Coil**
 Copper tube with pre-coated hydrophilic aluminum fin material.
- Filter**
 Woven fabric of mesh size 611x470 to prevent dust.
- Control**
 The unit is controlled & managed by microprocessor based controller with LED display
- CE**
 Machinery Directive/LVD Directive 2006/42/EEC
 Low Voltage Directive 2006/95/EC
 Pressure Equipment Directive 97/23/EC
 Electromagnetic Compatibility 2004/108/EC